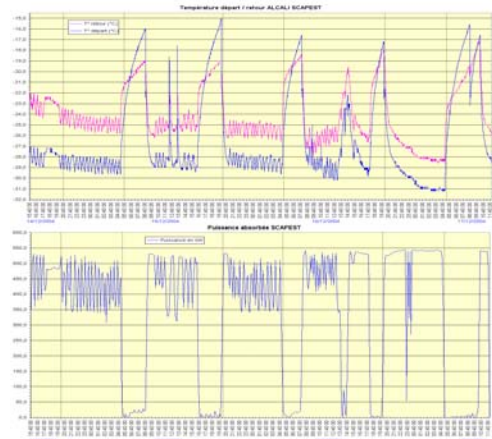


I 1	I 2	I 3	Relais Alarme
98.8 A	88.1 A	98.5 A	Contact ouvert
V 1	V 2	V 3	Fréquence
226.3 V	228.7 V	227.6 V	50.1 Hz
Pa 1	Pa 2	Pa 3	Pa Tot.
17.7 kW	17.7 kW	18.2 kW	53.6 kW
Pv 1	Pv 2	Pv 3	Pv Tot.
10.0 kVar	9.6 kVar	9.7 kVar	29.3 kVar
Fp 1	Fp 2	Fp 3	Fp Glob.
0.86	0.87	0.87	0.88

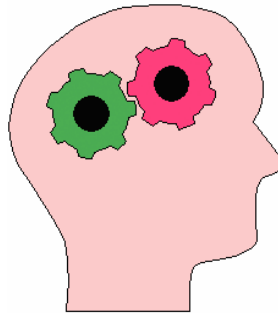
Measurements



Energy audits

COMPETENCES

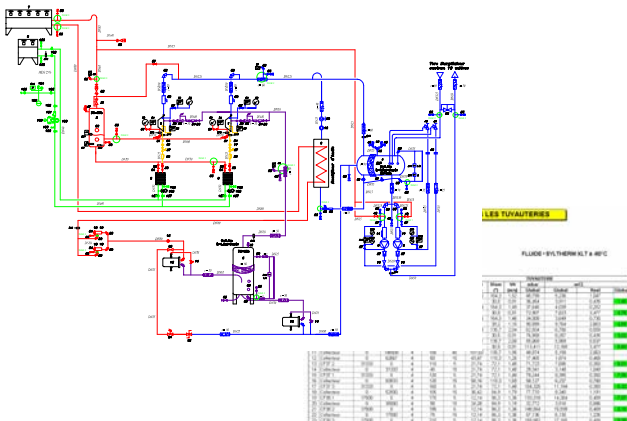
Industries.
Warehouses, deep freezers, etc...
Ice rinks.
Specific fluids :
- Ammonia,
- CO2,
- Diphasic brine,
- Monophasic brine.



Formations.
Regulations and standardizations.

MISSIONS

Feasibility studies.
Project studies.
Follow-up of construction.
Measurement series.
Technical audits.
Energy audits.
Assistances.



Designs



Follow-up of projects

Assistance Développement Technique

57, rue Eugène Caron - 92400 Courbevoie - France
Tél. : +33.(0)1.69.51.78.24 - Fax : +33.(0)1.69.51.24.45

www.adtplus.net
contacts@adtplus.net